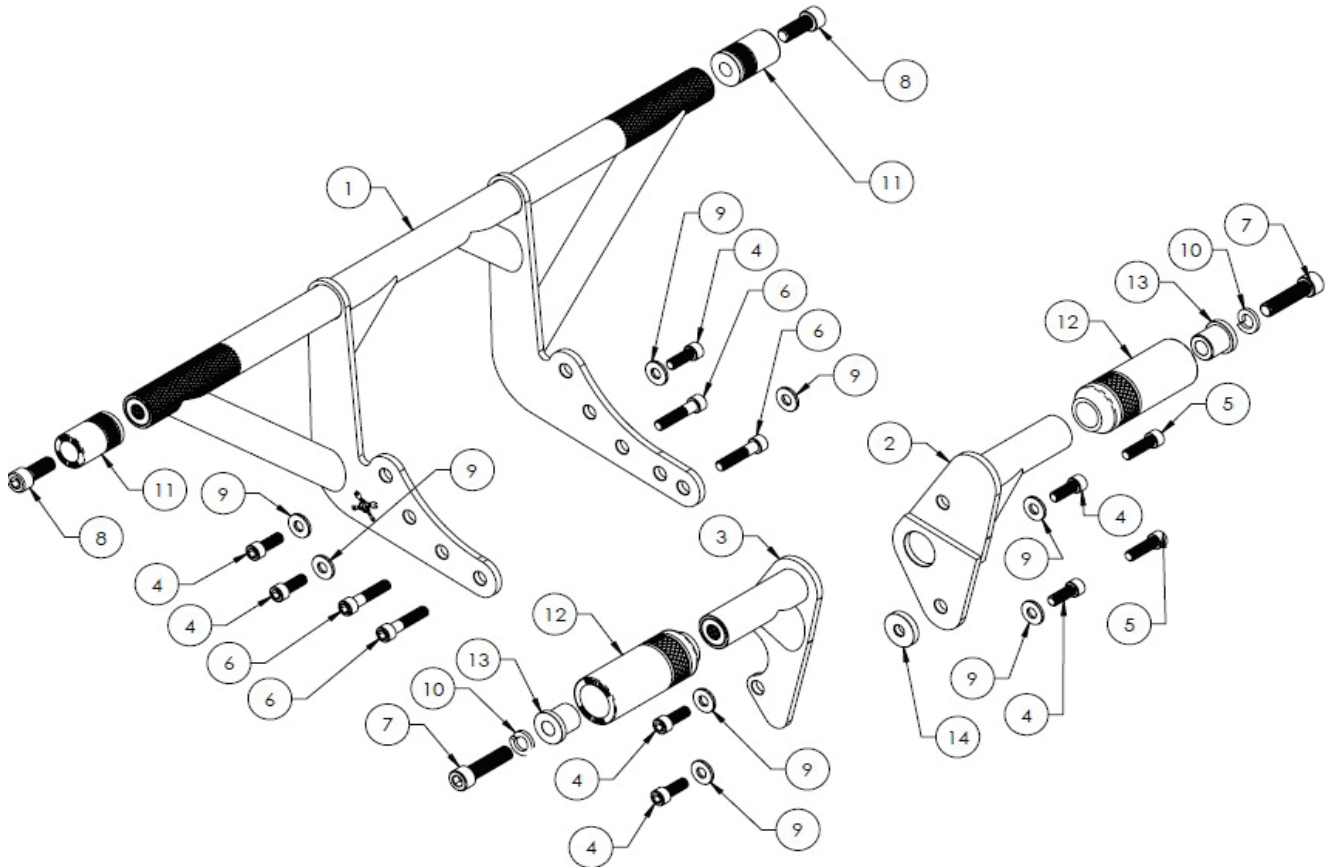


INSTALLATION INSTRUCTIONS

BRAWLER KIT, SOFTAIL 2018-UP



ITEM NO.	DESCRIPTION	QTY	Torque
1	BURLY BRAWLER, FRONT WELDED ASSEMBLY, SOFTAIL M8	1	
2	RIGHT REAR BURLY BRAWLER, WELDED ASSEMBLY, SOFTAIL M8	1	
3	LEFT REAR BURLY BRAWLER, WELDED ASSEMBLY, SOFTAIL M8	1	
4	SHCS 3/8-16 X 1", ZINC PLATED	7	*30-45 ft/lbs
5	SHCS 3/8-16 X 1-1/4", ZINC PLATED	2	40-45 ft/lbs
6	SHCS 3/8-16 X 1-3/4", ZINC PLATED	4	40-45 ft/lbs
7	SHCS 1/2-13 X 2, ZINC PLATED	2	35-40 ft/lbs
8	SHCS 1/2-13 X 1-1/4, ZINC PLATED	2	35-40 ft/lbs
9	WASHER .406 ID X .812 OD X .08 THICK, ZINC PLATED	8	
10	WASHER SPLIT LOCK .512 ID X .869 OD X .125 THICK, ZINC PLATED	2	
11	DELFIN 2" BRAWLER SLIDER, BURLY BRAWLER KIT	2	
12	REAR DELFIN BRAWLER SLIDER, BURLY BRAWLER KIT	2	
13	PRESS IN SLEEVE, REAR BRAWLER SLIDER, BURLY BRAWLER KIT (installed)	2	
14	SPACER, BURLY BRAWLER, SOFTAIL M8	1	
	*AS NOTED 30-35 ft/lbs Front Welded Assy. & 40-45 ft/lbs Rear Welded Assy.		

INSTALLATION INSTRUCTIONS

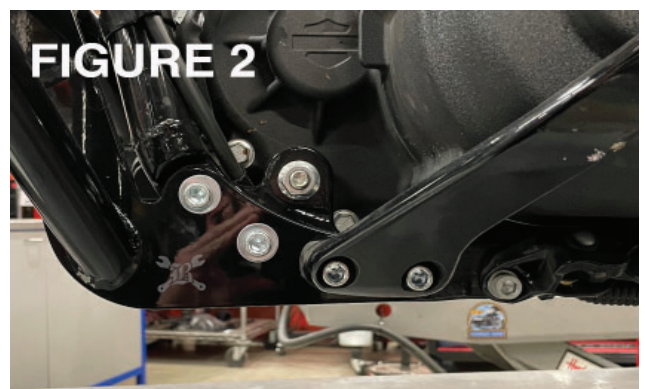
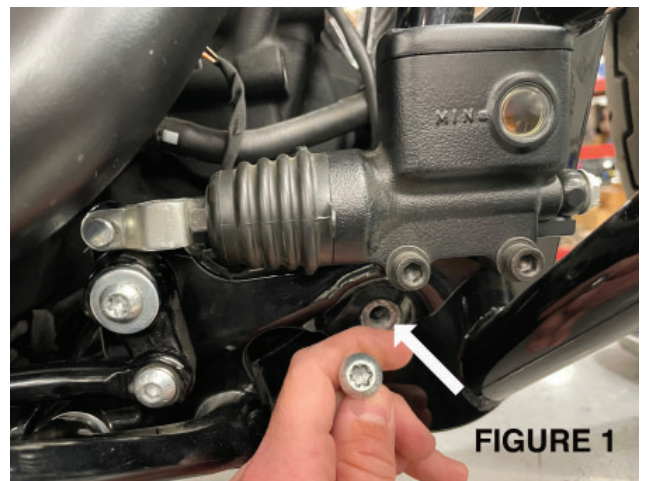
BRAWLER KIT, SOFTAIL 2018-UP

WARNINGS & ALERTS

- READ ALL THE INSTRUCTIONS CAREFULLY BEFORE INSTALLING THIS KIT ON YOUR MOTORCYCLE. USE THE APPROPRIATE HARLEY DAVIDSON SERVICE MANUAL AS A REFERENCE WHILE INSTALLING THIS KIT.
- IMPROPER INSTALLATION CAN CAUSE UNSATISFACTORY AND/OR UNSAFE OPERATION.
- AS WITH MOST MODIFICATIONS TO YOUR MOTORCYCLE, HANDLING AND GENERAL "FEEL" WILL BE AFFECTED. TAKE THE TIME TO SAFELY BECOME ACCUSTOMED TO THE NEW CHARACTERISTICS OF YOUR MOTORCYCLE.
- THIS PRODUCT IS DESIGNED TO REDUCE DAMAGE IN THE EVENT THE BIKE IS DROPPED, IT WILL NOT PREVENT ALL DAMAGE
- MOTORCYCLE MUST HAVE MID CONTROLS. FRONT WELDED ASSEMBLY CANNOT BE INSTALLED WITH FORWARD CONTROLS
- FRONT WELDED ASSEMBLY CANNOT BE INSTALLED WITH FRONT SPOILER
- INSTALLATION OF THE REAR WELDED ASSY/SLIDERS ON SOME MODELS REQUIRES REPLACING THE OEM EXHAUST DUE TO INTERFERENCE WITH THE RIGHT REAR WELDED ASSY/SLIDER. CHECK CURRENT NOTES FOR YOUR MODEL AT BURLYBRAND.COM
- WITH THE FRONT WELDED ASSY. INSTALLED, COMPRESS THE FRONT SUSPENSION (REMOVE FORK SPRINGS) THROUGH ITS FULL RANGE OF TRAVEL WHILE TURNING THE FRONT END FULLY RIGHT & LEFT. IF ANY INTERFERENCE BETWEEN THE FRONT WELDED ASSY. AND OTHER COMPONENTS IS FOUND (FENDER, TIRE, CABLES, BRAKE HOSES, ETC), YOU MUST CORRECT THOSE ISSUES BEFORE RIDING THE MOTORCYCLE. **WARNING: FAILURE TO CORRECT ANY INTERFERENCE MAY RESULT IN LOSS OF VEHICLE CONTROL, SERIOUS INJURY OR DEATH.**
- **WARNING: KEEP FEET, LEGS AND OTHER OBJECTS CLEAR OF WELDED ASSY. / SLIDERS AT ALL TIMES TO AVOID POSSIBLE LOSS OF CONTROL, SERIOUS INJURY OR DEATH.**

Front Welded Assembly Installation

1. Start by removing the left and right side foot controls and rear brake master cylinder bracket NOTE: You do not need to remove the master cylinder or brake line. Simply unbolt the bracket and the front welded assy. will be able to slide in behind it. See Figure 1.
2. Remove any plastic thread plugs from the frame and carefully position the front welded assy. in front of the frame behind the front wheel.
3. With the supplied 3/8"-16 X 1" screws (#4) and washers (#9), A drop of thread lock on each bolt is recommended. Start to loosely bolt on the front welded assy. using two on the left side and 1 on the right side (refer to exploded view on page 1 for location reference). Do not tighten at this time.
4. Next reinstall the left side foot controls using 2 of the supplied 3/8"-16 X 1-3/4" screws (#6), effectively sandwiching the front welded assy. between the foot controls and frame, do not tighten yet. See Figure 2.
5. Reinstall the right side foot controls using 2 of the supplied 3/8"-16 X 1-3/4" screws (#6), effectively sandwiching the front welded assy. between the master cylinder bracket and frame,
6. For the final master cylinder bracket mounting bolt, use one of the stock foot control mounting bolts that you removed during disassembly.



BURLY BRAND
MOTORCYCLE  ACCESSORIES

888-367-1871 | 714-367-1871 | FAX 714-523-3220

INFO@BURLYBRAND.COM | BURLYBRAND.COM

INSTALLATION INSTRUCTIONS

BRAWLER KIT, SOFTAIL 2018-UP

7. Fully tighten all mounting bolts (30-35 ft-lbs).
8. Finally, tighten all 4 of the 3/8" -16 X 1-3/4" screws (#6), that secure the foot controls to 40-45 ft-lbs. Figures 2 & 3

Rear Welded Assy. / Sliders Installation

1. For the left side, start by removing any plastic thread plugs from the frame around the swingarm pivot bolt area.
2. Now install the left welded assy. / slider with two of the supplied 3/8"-16 X 1" screws (#4) and washers (#9). Apply thread lock and tighten (40-45 ft/lbs). See Figure 4.
3. For the right side, start by removing the stock exhaust mufflers and bracket.
4. Next slip the right welded assy. / slider behind the rear header and loosely install the upper supplied 3/8"-16 X 1" screw (#4) and washer (#9). Remember to apply thread locker. See Figure 5.
5. Now place the stock muffler bracket on top of the welded assy. / slider and loosely install the lower supplied 3/8"-16 X 1-1/4" screw (#5) and washer (#9) with blue thread locker.
6. At this point, install the supplied spacer (#14) behind the muffler bracket at the bottom and use a 3/8"-16 X 1-1/4" screw (#5) and washer (#9) to install. See Figure 6.
7. Tighten all screws (40-45 ft/lbs).
8. Lastly, install the mufflers according to manufacturer specifications. Headers and heatshields may have to be loosened to compensate for the new offset and to provide clearance between welded assy. / slider and exhaust components. See Figure 7. NOTE: If an aftermarket exhaust is used, the right welded assy. / slider can just be installed with two of the supplied 3/8"-16 X 1" screws and washers. Extra hardware is provided for this reason.

Final Checks

1. Check all fasteners for proper tightness
2. Check and correct any interference with suspension, exhaust or steering movement
3. AS WITH MOST MODIFICATIONS TO YOUR MOTORCYCLE, HANDLING AND GENERAL "FEEL" WILL BE AFFECTED. TAKE THE TIME TO SAFELY BECOME ACCUSTOMED TO THE NEW CHARACTERISTICS OF YOUR MOTORCYCLE. ENJOY!

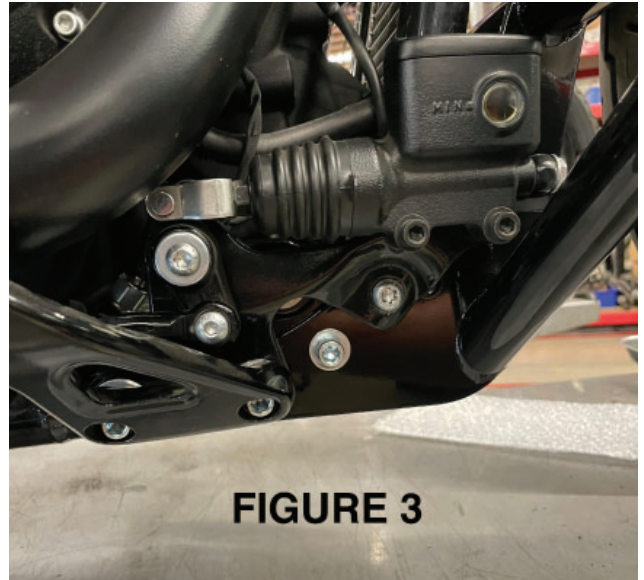


FIGURE 3

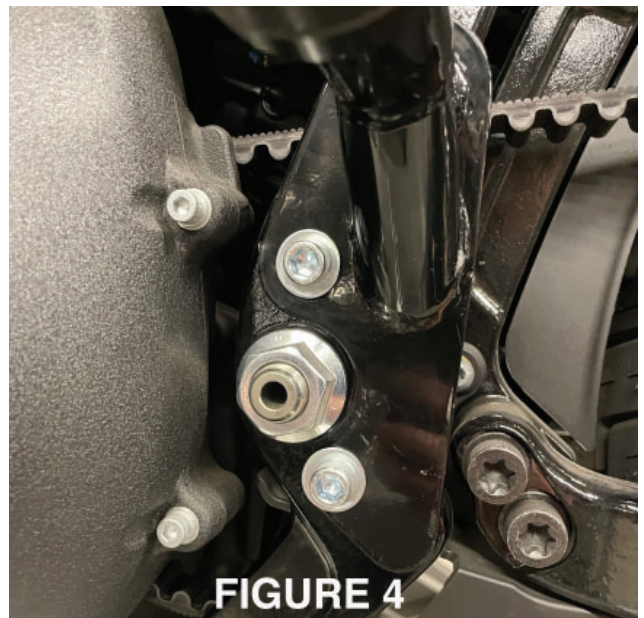


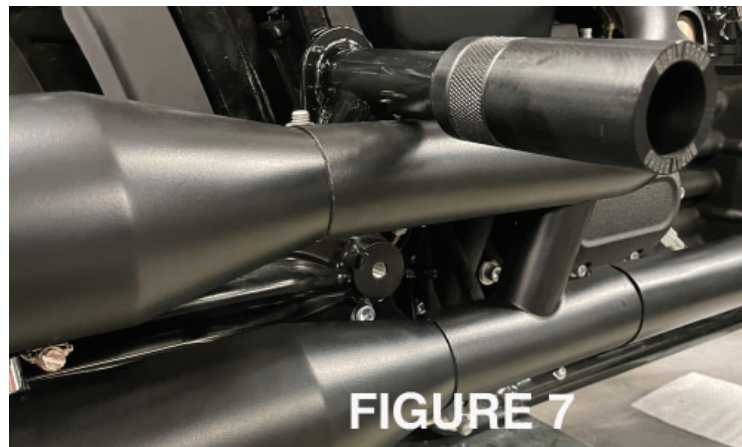
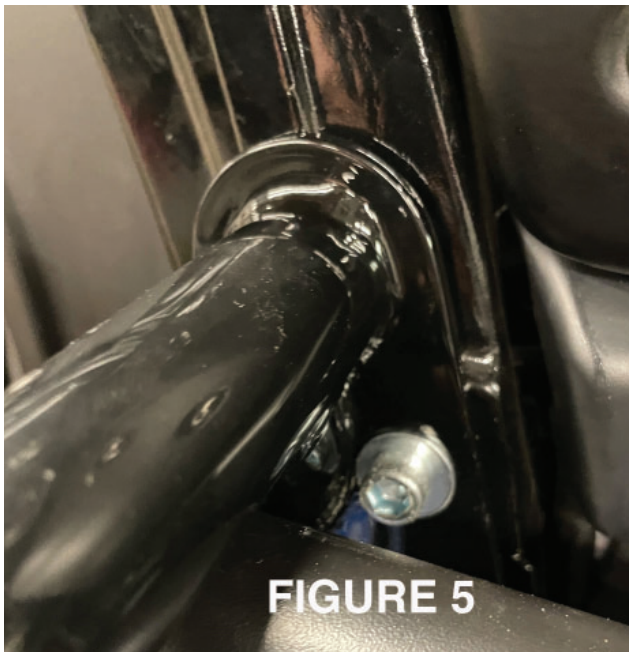
FIGURE 4

4. **WARNING: FAILURE TO CORRECT ANY INTERFERENCE MAY RESULT IN LOSS OF VEHICLE CONTROL, SERIOUS INJURY OR DEATH**
5. **WARNING: KEEP FEET, LEGS AND OTHER OBJECTS CLEAR OF WELDED ASSEMBLY / SLIDERS AT ALL TIMES TO AVOID POSSIBLE LOSS OF CONTROL, SERIOUS INJURY OR DEATH.**



INSTALLATION INSTRUCTIONS

BRAWLER KIT, SOFTAIL 2018-UP



LIMITED GUARANTEE

We continually inspect and try to improve our products. All parts have been inspected prior to packaging, and our guarantee is limited to replacement of defective parts. This guarantee is in lieu of all guarantees or warranties implied or expressed. Because we can not control the application of our products, the buyer assumes risks for any and all damage caused by themselves or any third party, by virtue of failure of these parts. We make no warranty as to products distributed by us, expressed or implied, including without limitation, any warranties or merchant ability and fitness for particular purpose. We will, however, pass on all warranties made by the manufacturer, who has sole responsibility for performing such warranties. The manufacturer shall solely be responsible for any damage to person or property arising from design, manufacturing and testing of all products, and we accept no liability for such damages. We shall not be liable for indirect or consequential damages.

