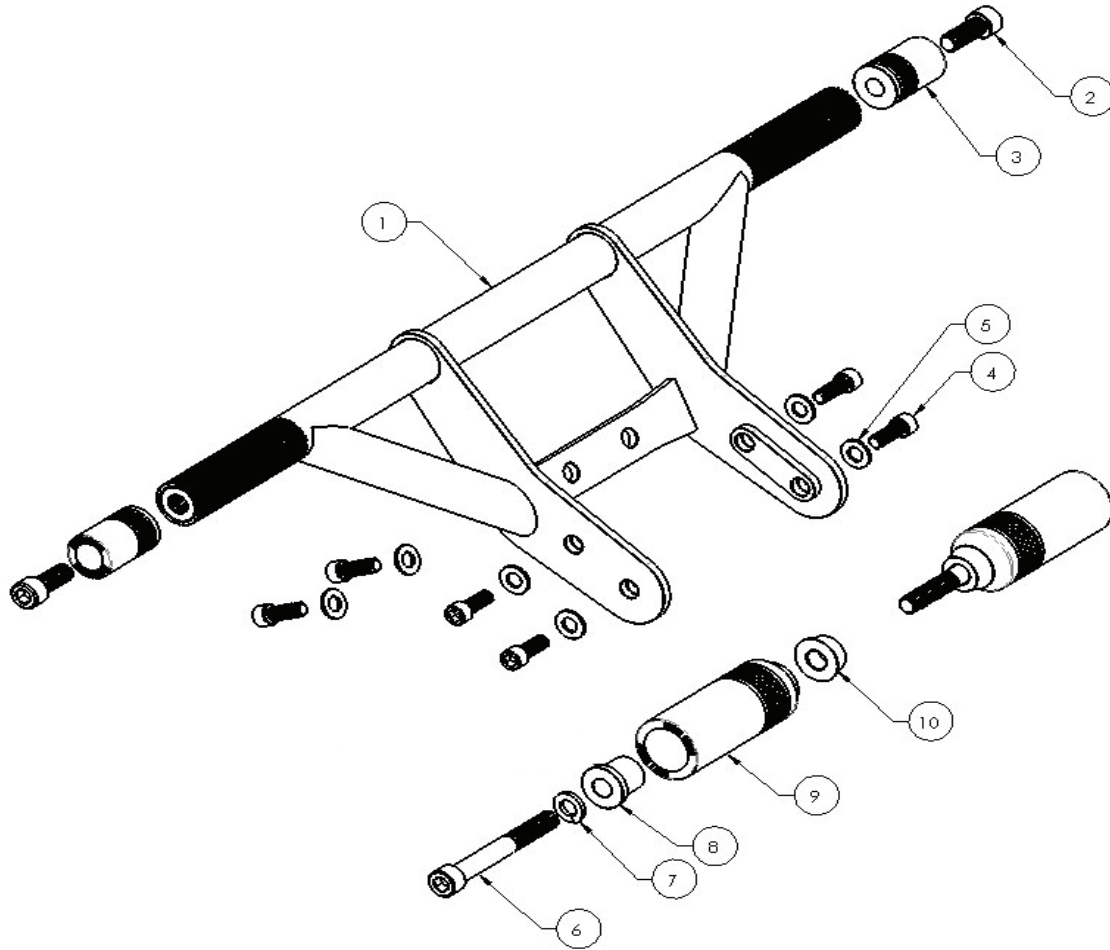


## INSTALLATION INSTRUCTIONS

### BRAWLER KIT, SPORTSTER 2004-UP



ITEM NO.	DESCRIPTION	QTY.	Torque
1	BURLY BRAWLER, FRONT WELDED ASSY, SPORTSTER 2004-UP	1	
2	SHCS 1/2-13 X 1-1/4, ZINC PLATED	2	35-40 ft/lbs
3	DELFIN 2" BRAWLER SLIDER, BURLY BRAWLER KIT	2	
4	SHCS 3/8-16 X 1", ZINC PLATED	6	30-35 ft/lbs
5	WASHER .406 ID X .812 OD X .08 THICK, ZINC PLATED	6	
6	SHCS 1/2-13 X 4", ZINC PLATED	2	45-50 ft/lbs
7	WASHER SPLIT LOCK .512 ID X .869 OD X .125 THICK, ZINC PLATED	2	
8	PRESS IN SLEEVE, REAR BRAWLER SLIDER, BURLY BRAWLER KIT (installed)	2	
9	REAR DELFIN BRAWLER SLIDER, BURLY BRAWLER KIT	2	
10	SPACER, REAR BRAWLER SLIDER, BURLY BRAWLER KIT	2	

# INSTALLATION INSTRUCTIONS

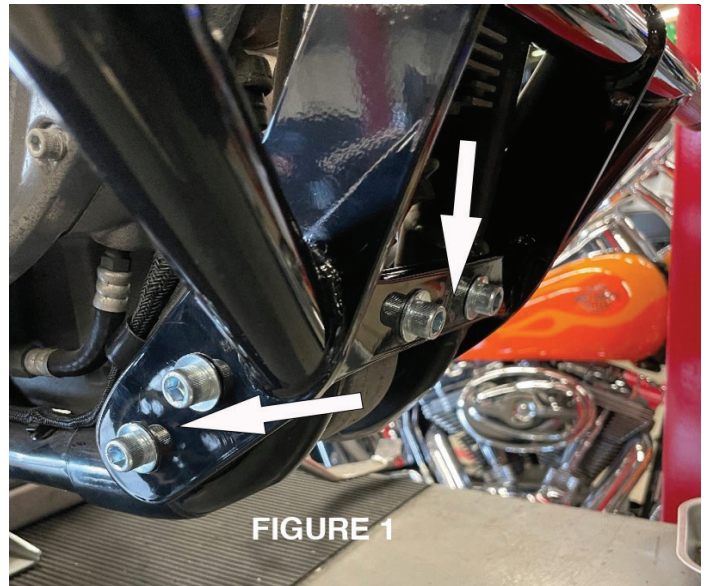
## BRAWLER KIT, SPORTSTER 2004-UP

### WARNINGS & ALERTS

- READ ALL THE INSTRUCTIONS CAREFULLY BEFORE INSTALLING THIS KIT ON YOUR MOTORCYCLE. USE THE APPROPRIATE HARLEY DAVIDSON SERVICE MANUAL AS A REFERENCE WHILE INSTALLING THIS KIT.
- IMPROPER INSTALLATION CAN CAUSE UNSATISFACTORY AND/OR UNSAFE OPERATION.
- AS WITH MOST MODIFICATIONS TO YOUR MOTORCYCLE, HANDLING AND GENERAL "FEEL" WILL BE AFFECTED. TAKE THE TIME TO SAFELY BECOME ACCUSTOMED TO THE NEW CHARACTERISTICS OF YOUR MOTORCYCLE.
- THIS PRODUCT IS DESIGNED TO REDUCE DAMAGE IN THE EVENT THE BIKE IS DROPPED, IT WILL NOT PREVENT ALL DAMAGE
- MOTORCYCLE MUST HAVE MID CONTROLS. FRONT WELDED ASSEMBLY CANNOT BE INSTALLED WITH FORWARD CONTROLS
- EXHAUST SYSTEMS THAT EXTEND BEYOND THE FRONT FRAME DOWN TUBES BY MORE THAN ½" MAY INTERFERE WITH THE INSTALLATION OF THE FRONT WELDED ASSEMBLY.
- FRONT WELDED ASSEMBLY CANNOT BE INSTALLED WITH FRONT SPOILER
- FOR MODELS EQUIPPED WITH ABS, THE ABS BRAKE HOSES LOCATED IN FRONT OF THE ENGINE MAY NEED TO BE MANIPULATED OR RE-ROUTED TO INSTALL THE FRONT WELDED ASSEMBLY.
- REAR BRAWLER SLIDERS WILL INTERFERE WITH THE USE OF SADDLEBAGS
- WITH THE FRONT WELDED ASSY. INSTALLED, COMPRESS THE FRONT SUSPENSION (REMOVE FORK SPRINGS) THROUGH ITS FULL RANGE OF TRAVEL WHILE TURNING THE FRONT END FULLY RIGHT & LEFT. IF ANY INTERFERENCE BETWEEN THE FRONT WELDED ASSY. AND OTHER COMPONENTS IS FOUND (FENDER, TIRE, CABLES, BRAKE HOSES, ETC), YOU MUST CORRECT THOSE ISSUES BEFORE RIDING THE MOTORCYCLE. **WARNING: FAILURE TO CORRECT ANY INTERFERENCE MAY RESULT IN LOSS OF VEHICLE CONTROL, SERIOUS INJURY OR DEATH.**
- **WARNING: KEEP FEET, LEGS AND OTHER OBJECTS CLEAR OF WELDED ASSY. / SLIDERS AT ALL TIMES TO AVOID POSSIBLE LOSS OF CONTROL, SERIOUS INJURY OR DEATH.**

### Front Welded Assembly Installation

1. Carefully position the welded assy. in front of the frame behind the front wheel.
2. With the supplied 3/8"-16 X 1" screws (#4) and washers (#5), start to bolt on the welded assy.. A drop of thread lock on each bolt is recommended. It might be easier to start with the center screws so that the welded assy. can float in place during the rest of the installation. Do not tighten at this time. See Figure 1.
3. Next screw on one side of the welded assy. but not fully tight.
4. Move to the other side of the motorcycle and loosely install the other side of the welded assy..
5. Now that the welded assy. is loosely installed with the six screws and washers, fully tighten the center two screws (30-35 ft-lbs).
6. The other four screws can now be fully tightened (30-35 ft-lbs).

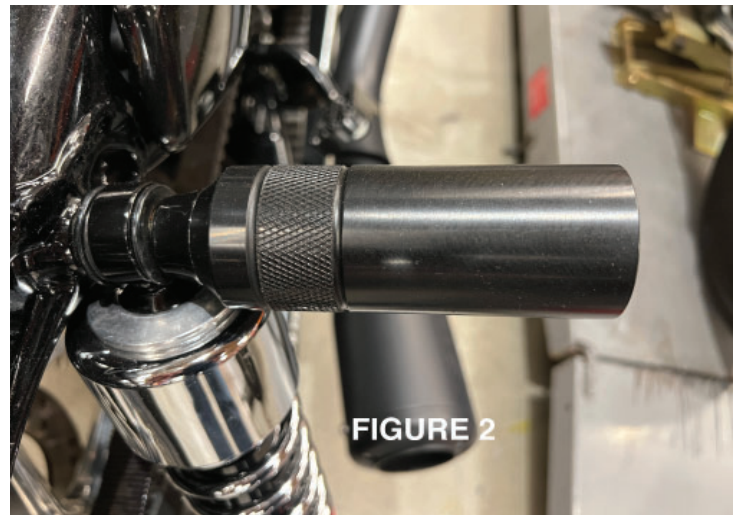


# INSTALLATION INSTRUCTIONS

## BRAWLER KIT, SPORTSTER 2004-UP

### Rear Brawler Sliders Installation

1. Use a proper motorcycle jack to full extend the rear suspension (rear tire slightly off the ground)
2. Remove the mounting bolts from the top of the rear shocks.
3. Take one of the supplied 1/2"-13 X 4" screws (#6) and onto it install a lock washer (#7), then a Rear Brawler Slider (#9 w/#8 already installed), then a Spacer (#10).
4. Apply thread lock onto the exposed threads of the screw.
5. Using the bolt / slider assembly (from step 3 & 4 with thread lock), reinstall the rear shock. See Figure 2 for reference of complete installation.
6. Align the shock with the hole on the strut, slide through the screw, and fully tighten. (45-50 ft-lbs).
7. Repeat on the other side.



### Final Checks

1. Check all fasteners for proper tightness
2. Check and correct any interference with suspension or steering movement
3. AS WITH MOST MODIFICATIONS TO YOUR MOTORCYCLE, HANDLING AND GENERAL "FEEL" WILL BE AFFECTED. TAKE THE TIME TO SAFELY BECOME ACCUSTOMED TO THE NEW CHARACTERISTICS OF YOUR MOTORCYCLE. ENJOY!
4. **WARNING: FAILURE TO CORRECT ANY INTERFERENCE MAY RESULT IN LOSS OF VEHICLE CONTROL, SERIOUS INJURY OR DEATH**
5. **WARNING: KEEP FEET, LEGS AND OTHER OBJECTS CLEAR OF WELDED ASSEMBLY / SLIDERS AT ALL TIMES TO AVOID POSSIBLE LOSS OF CONTROL, SERIOUS INJURY OR DEATH.**

### LIMITED GUARANTEE

We continually inspect and try to improve our products. All parts have been inspected prior to packaging, and our guarantee is limited to replacement of defective parts. This guarantee is in lieu of all guarantees or warranties implied or expressed. Because we can not control the application of our products, the buyer assumes risks for any and all damage caused by themselves or any third party, by virtue of failure of these parts. We make no warranty as to products distributed by us, expressed or implied, including without limitation, any warranties or merchant ability and fitness for particular purpose. We will, however, pass on all warranties made by the manufacturer, who has sole responsibility for performing such warranties. The manufacturer shall solely be responsible for any damage to person or property arising from design, manufacturing and testing of all products, and we accept no liability for such damages. We shall not be liable for indirect or consequential damages.

