

INSTALLATION INSTRUCTIONS

SLAMMER PLUS SHOCKS - FLH/FLT



KIT CONTENTS



QTY	DESCRIPTION
2	SLAMMER PLUS SHOCK
4	SHOULDERED SLEEVE
4	FLAT WASHERS
1	SPANNER WRENCH
1	DECAL SHEET (not shown)
2	WARNING DECALS
1	LUBE PACK

LIMITED GUARANTEE

We continually inspect and try to improve our products. All parts have been inspected prior to packaging, and our guarantee is limited to replacement of defective parts. This guarantee is in lieu of all guarantees or warranties implied or expressed. Because we can not control the application of our products, the buyer assumes risks for any and all damage caused by themselves or any third party, by virtue of failure of these parts. We make no warranty as to products distributed by us, expressed or implied, including without limitation, any warranties or merchant ability and fitness for particular purpose. We will, however, pass on all warranties made by the manufacturer, who has sole responsibility for performing such warranties. The manufacturer shall solely be responsible for any damage to person or property arising from design, manufacturing and testing of all products, and we accept no liability for such damages. We shall not be liable for indirect or consequential damages.

INSTALLATION INSTRUCTIONS

SLAMMER PLUS SHOCKS - FLH/FLT

WARNINGS & ALERTS:

- READ AND FOLLOW ALL INSTRUCTIONS TO PROPERLY INSTALL THIS KIT.
- DO NOT INSTALL IN CONJUNCTION WITH ANY OTHER REAR LOWERING KIT OR COMPONENT.
- IMPROPER INSTALLATION CAN CAUSE UNSATISFACTORY AND/OR UNSAFE OPERATION.
- THE OPERATOR MUST USE EXTREME CAUTION WHEN OPERATING A MODIFIED MOTORCYCLE, PARTICULARLY WHILE GETTING FAMILIAR WITH ITS ALTERED HANDLING CHARACTERISTICS.
- CHECK YOUR MOTORCYCLE FOR PROPER PARKING LEAN ANGLE AFTER INSTALLATION OF THIS KIT. YOUR SIDE STAND MAY REQUIRE MODIFICATION.
- ENCLOSED WARNING DECALS MUST BE APPLIED TO A VISIBLE AREA OF ANY MOTORCYCLE ON WHICH THE BURLY BRAND SLAMMER PLUS SHOCKS HAVE BEEN INSTALLED IN ORDER TO INFORM POTENTIAL RIDERS THAT THE BIKE HAS BEEN MODIFIED.

1. Read all the instructions carefully before installing this kit on your motorcycle. Use your Harley-Davidson manual as a reference while installing this kit.
2. Support and lift the motorcycle securely so the rear wheel is just off the ground and able to spin with light brake drag. The balance point is between the engine and transmission.
3. Remove any accessories necessary to gain access to the rear shocks.
4. Remove the stock shocks by removing the lower and upper shock bolts and washers. Save the bolts and washers as they will be re-used with this kit.
5. If your bike is currently equipped with a "Bracket" Style lowering kit, such as a Burly Brand or other, You MUST remove that kit before installing the Slammer Plus shocks.
6. With the stock shocks removed and prior to installing your new Slammer Plus Shocks, move the rear wheel vertically until you feel contact between tire / fender or belt, belt guard / frame or fender or contact between any other accessory / frame, swing arm, tire etc. With the Rear wheel held in this "Point of Contact" position, measure the distance between the center of the upper shock mount and the center

of the lower shock mount. Indicated by the arrows shown in Photo 1. This measurement MUST be Equal to or less than 9.5". Double check your measurement to insure proper clearance.

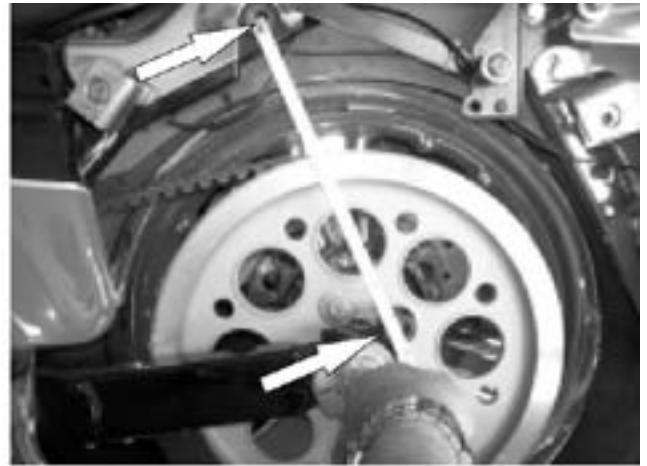


Photo 1

WARNING - DO NOT complete the installation of your Slammer Plus Shocks until you have corrected ANY interference to achieve proper clearance. *Failure to do so can result in damage to your bike and lead to loss of control and injury!*

7. These shocks are designed to operate with the shock shaft up. Poor performance and damage to the shocks may occur if installed with the shock shaft down.



INSTALLATION INSTRUCTIONS

SLAMMER PLUS SHOCKS - FLH/FLT

8. Install 1 shouldered sleeve into each shock eye. The shock must be mounted with the shoulder toward the bike, Also add one ½"SAE flat washer to properly space the shocks. See (photo 2)

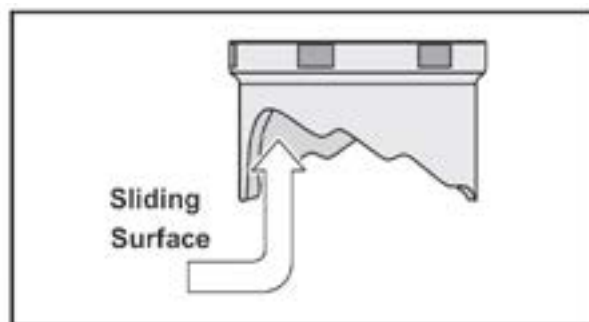


Photo 2

9. Using the sleeves and washers as mentioned above, install the new Slammer Plus shocks on each side of the bike using the bolts and washers you removed with the stock shocks earlier. Be sure to apply thread locking compound to the bolts, but don't tighten them yet.
10. Remove motorcycle from lift and tighten all of the shock mounting bolts to 35 ft./lbs using a torque wrench.
11. Re-install any accessories removed earlier in accordance to the manufacturers installation instructions. Be sure they do not interfere with the operation of the shock absorbers in any way through their full range of movement.
12. Install the included Burly Brand decals on the shock top covers or wherever you like!

FINE TUNING

Your Slammer Plus shocks are designed to sit low like a 10.5" shock - with the added benefit of the extended travel of a 11.5" shock. Rear ride height can be adjusted by turning the adjusting cam to a higher setting. This is also used to stiffen the shock if excessive bottoming occurs while riding the bike. Apply a small amount of the provided lubricant to the sliding surface of the cam, as illustrated below, and use the spanner wrench to rotate the cam.



The operator must use extreme caution when operating a modified motorcycle, particularly while getting familiar with its altered handling characteristics.

